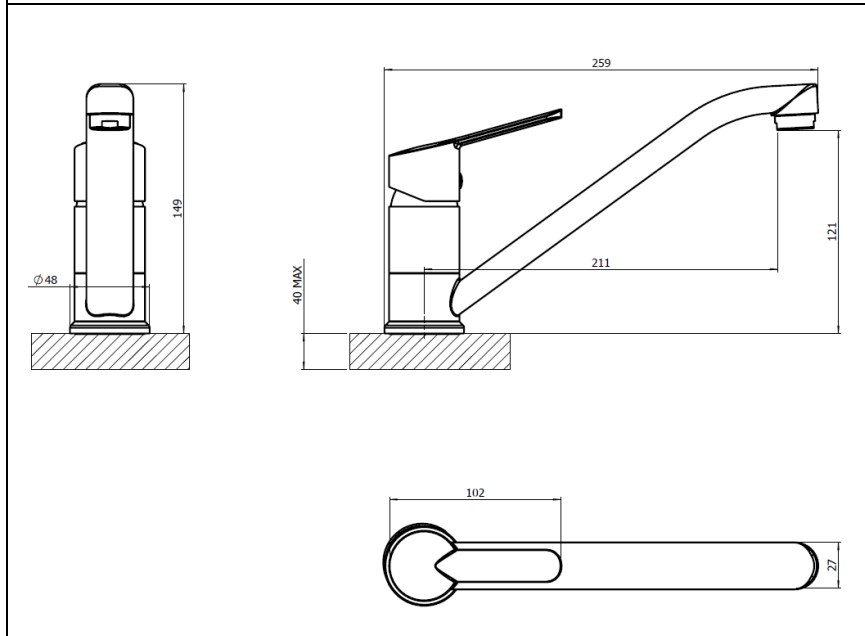




ARAYA

922020 – LONG NECK SINK MIXER

COMAP



| Specification         |  |
|-----------------------|--|
| Finish                | Chrome                                     |
| Body                  | Brass                                      |
| Fittings              | Metal plate, washer, stud & locking nut    |
| Connection            | Flexible hoses with 1/2" BSP threaded ends |
| Min dynamic pressure  | 0.1  |
| Max dynamic pressure  | 6  |
| Max static pressure   | 16   |
| Max water temperature | 60°C                                       |

| Flow rates |     |     |      |      |
|------------|-----|-----|------|------|
| Pressure   | 0.1 | 0.5 | 1    | 3    |
| L/min      | 2   | 7.5 | 11.2 | 20.4 |

All Pressures are in Bar.  
 Dimensions supplied are nominal and subject to tolerance.  
 Inclusion of aerator (if supplied) or restrictors (sold separately unless stated) will affect flow rate result.  
 Performance details are based on trials under test conditions and for guidance only.  
 The Company reserves the right to change product specification without prior notice.

Features & Benefits

|                   |              |               |                   |
|-------------------|--------------|---------------|-------------------|
| 10 YEAR Guarantee | Low Pressure | Flexible Hose | Flow Straightener |
| Flow Aerator      | Single Flow  |               |                   |

Certifications

|                  |                  |
|------------------|------------------|
|                  |                  |
| 1903725 – Mar 24 | Tested @ 0.2 bar |

